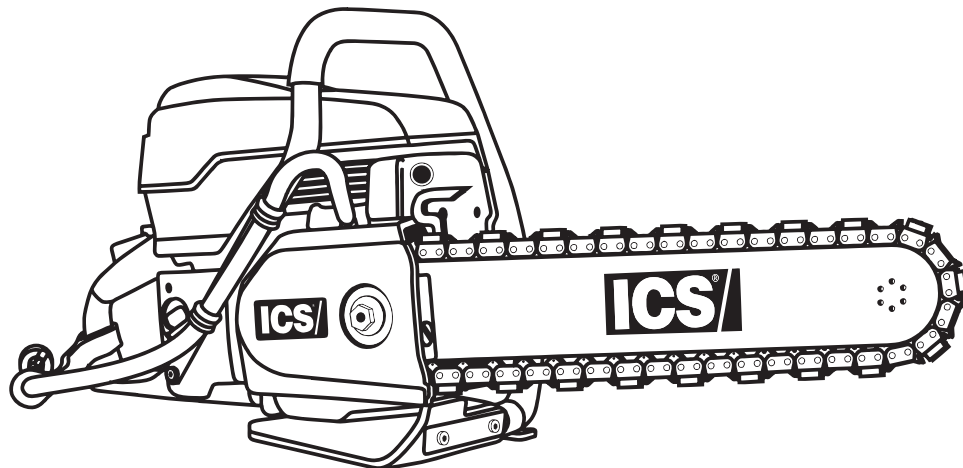




# Replacement Parts & Accessories Price List



## 695GC & 695F4 Petrol Concrete Saw

Effective January 1, 2015

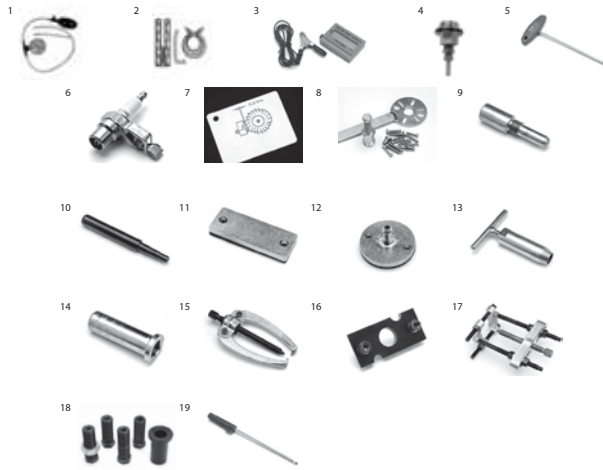
# TABLE OF CONTENTS

## 695GC/695F4 Gas Saw

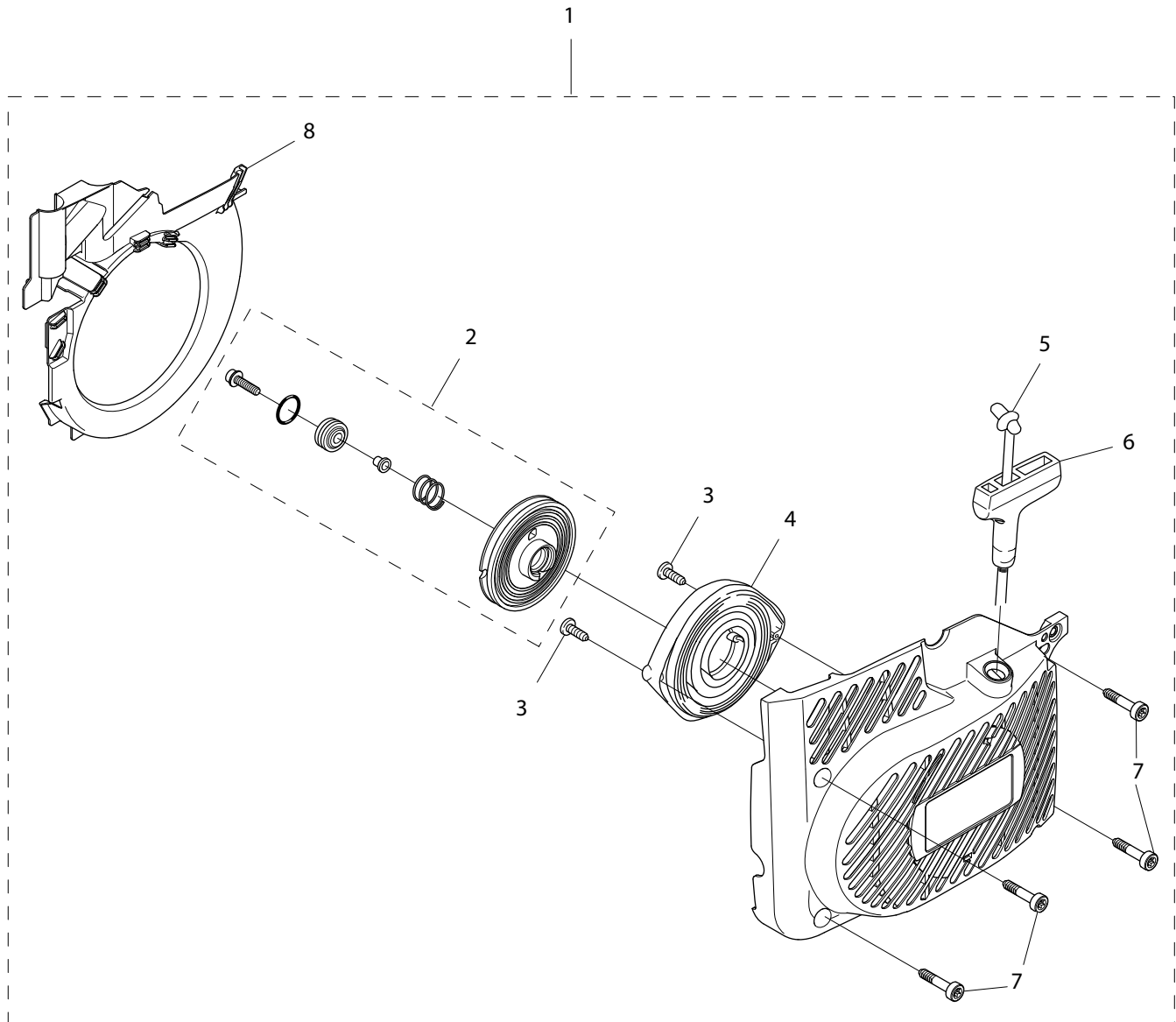
ITEM DESCRIPTION	KEY	PAGE
695GC/695F4 Gas Saw Service Items	n/a	2
Starter Assembly	A	3
Flywheel & Ignition Assembly	B	4
Clutch Assembly & WallWalker®	C	5
Side Cover & Tensioner Assembly	D	6
Cylinder & Exhaust Assemblies	E	7
Crankcase Assembly	F	8
Crankshaft Assembly	G	9
Complete Engine Assembly	H	10
Carburetor & Intake Assemblies	I	11
Cylinder & Air Filter Cover Assemblies	J	12
Fuel Tank Assembly	K	13
Water Delivery System	L	14

# SERVICE ITEMS

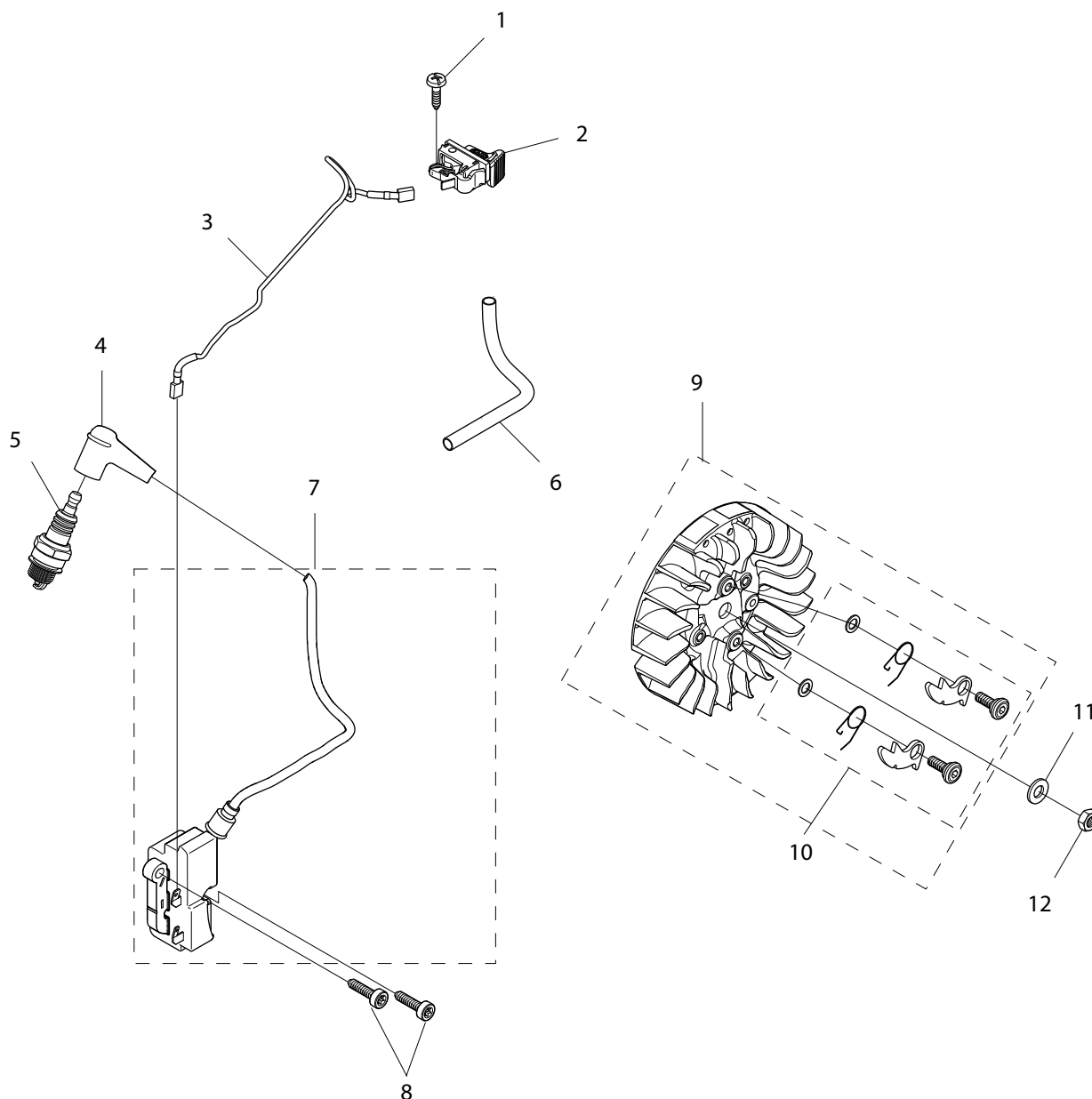
## 695GC Gas Concrete Saw



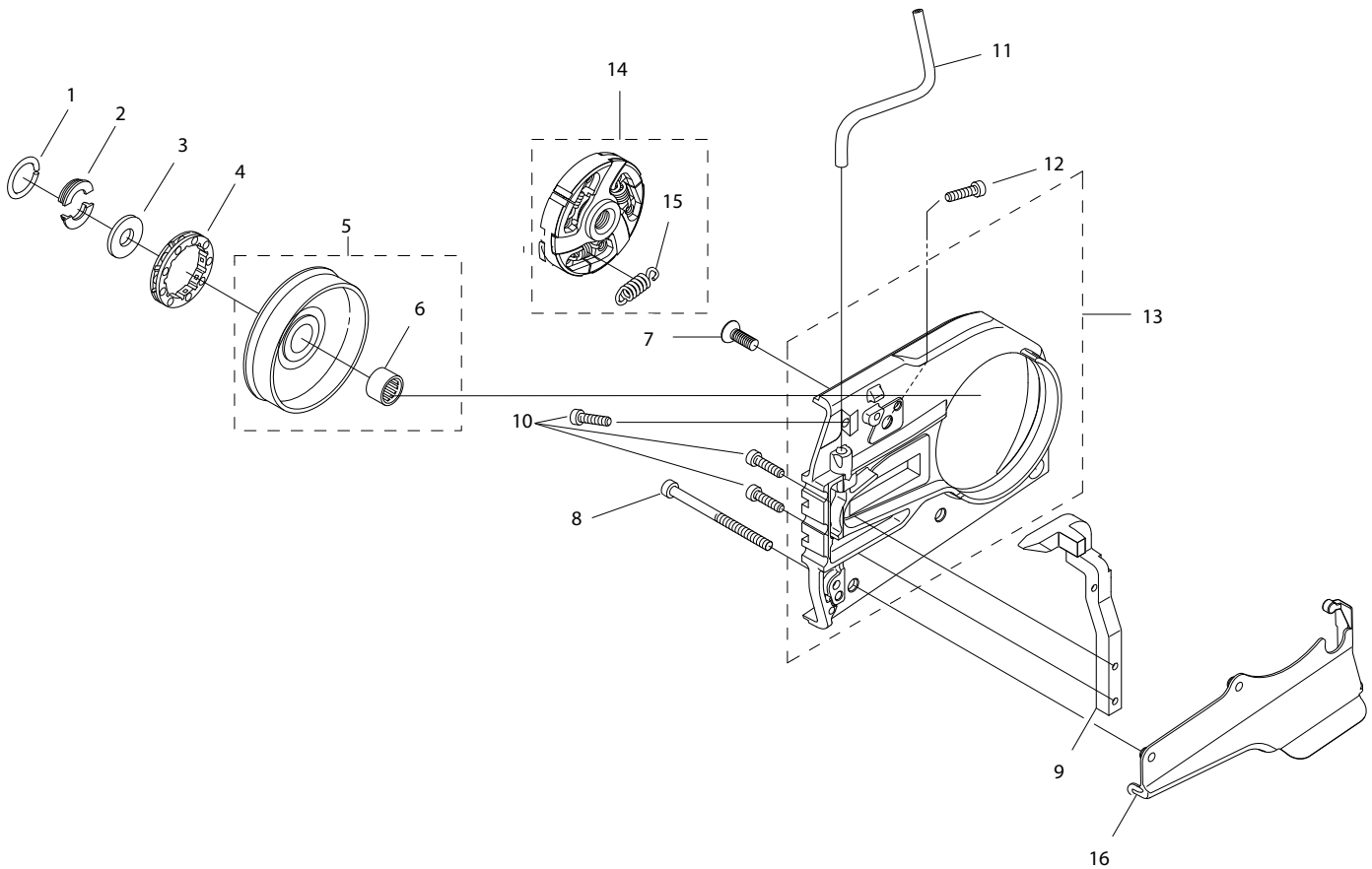
Key #	Part No.	Description
1	71541	Pressure Gauge Bulb
2	71543	Cylinder Assembly Clamps & Piston Stop
3	71565	Electronic Tachometer
4	73425	Fuel Tank Pressure Cap
5	546191	Workshop Key Torx T27
6	546192	Test Spark Plug
7	546193	Air Gap Gauge
8	546194	Flywheel Puller
9	547277	Piston Stop
10	546196	Wrist Pin Punch
11	546197	Cylinder Seal, Exhaust
12	546198	Cylinder Seal, Inlet Port
13	546289	Puller, Sealing Ring
14	546291	Assembly Punch
15	546292	Universal Puller
16	546293	Grip Plate
17	546294	Bearing Puller
18	546295	Bearing Press
19	546307	Screwdriver, Idle
not shown	544120	Flat Blade Srench
not shown	544119	Torque Srench
not shown	70249	14T Bar Nose Sprocket Repair Kit (for 695GC)
not shown	530046	FORCE4™ Bar Nose Sprocket Repair Kit (for 695F4)
not shown	71625	Carburetor Tuning Kit
not shown	505880	2-Stroke Oil, 25:1 Mix, 200 ml (6-pack)
not shown	505885	2-Stroke Oil, 25:1 Mix, 200 ml (24-pack)



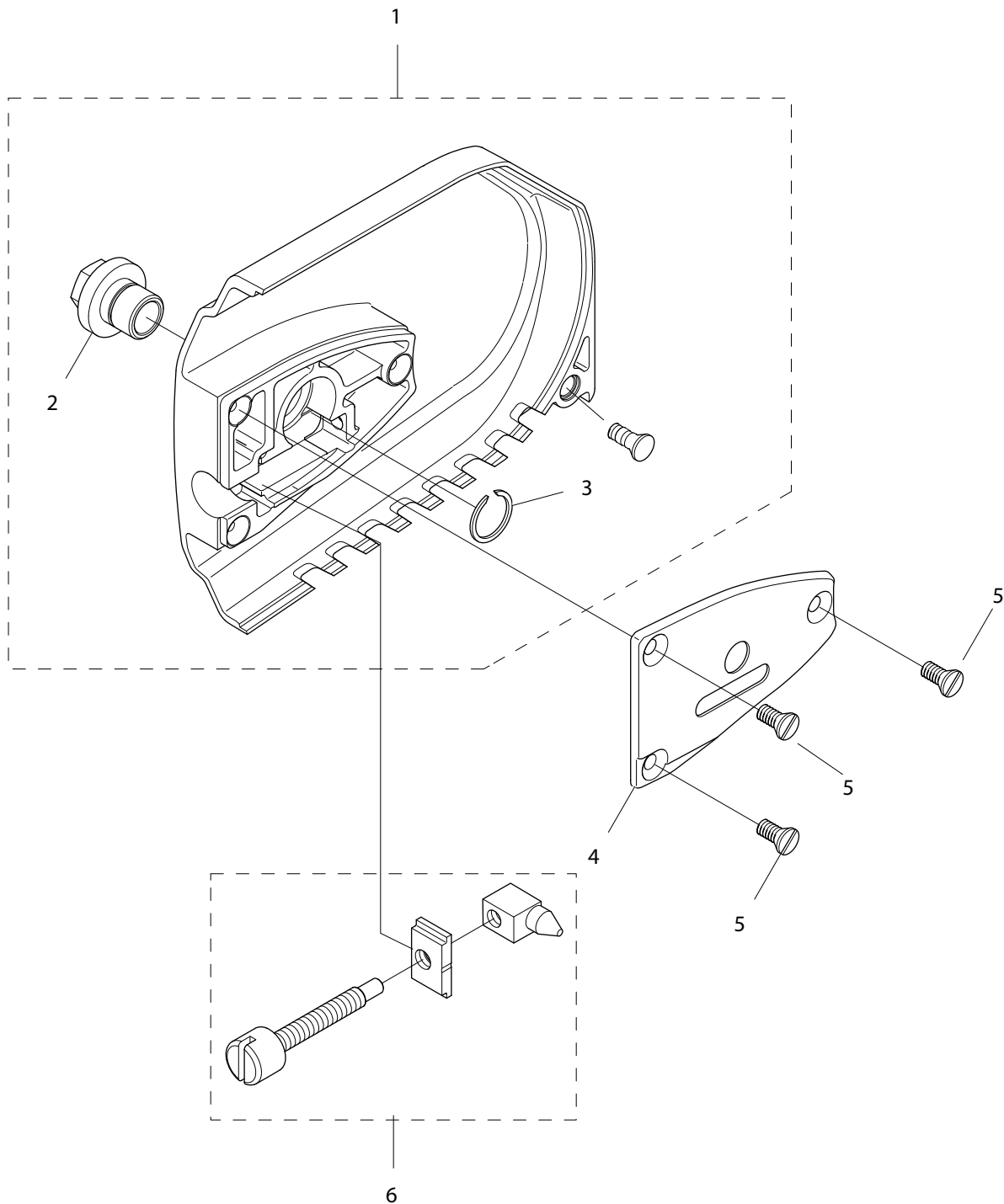
Key #	Part No.	Description
A01	544013	STARTER COVER ASSEMBLY
A02	544127	STARTER PULLEY KIT
A03	543974	SCREW
A04	544021	RECOIL SPRING
A05	544023	STARTER CORD
A06	544024	STARTER HANDLE
A07	544012	SCREW
A08	544026	STARTER COVER SHIELD



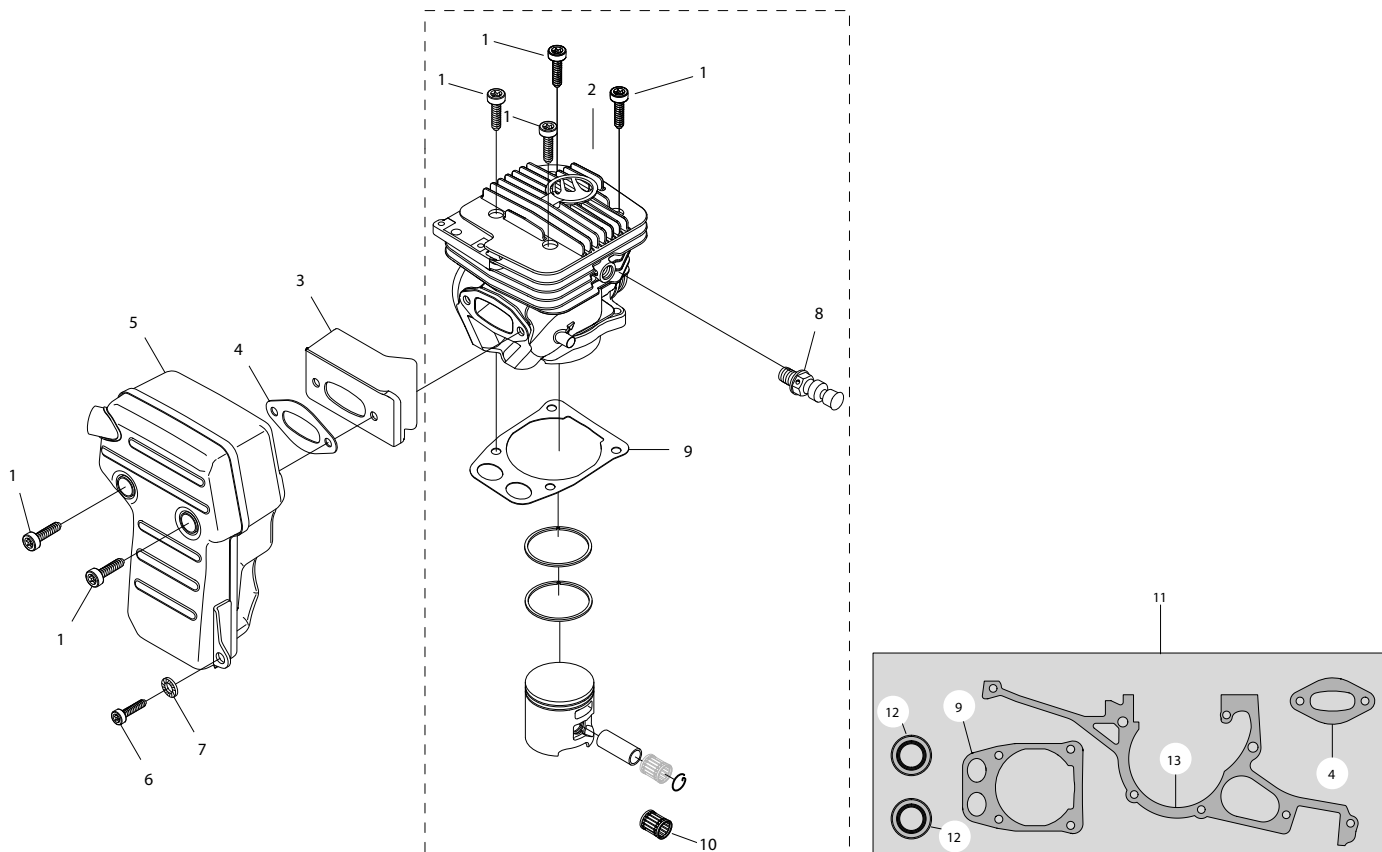
Key #	Part No.	Description
B01	544030	STOP SWITCH SCREW
B02	544031	STOP SWITCH
B03	544032	STOP SWITCH CABLE
B04	544033	SPARK PLUG CAP
B05	544034	SPARK PLUG
B06	544035	PROTECTIVE SLEEVE
B07	544036	IGNITION MODULE
B08	544038	IGNITION MODULE SCREW
B09	544053	FLYWHEEL
B10	544125	STARTER PAWL KIT (INCL. TWO OF EACH ITEM)
B11	544058	STARTER WASHER
B12	544059	STARTER NUT



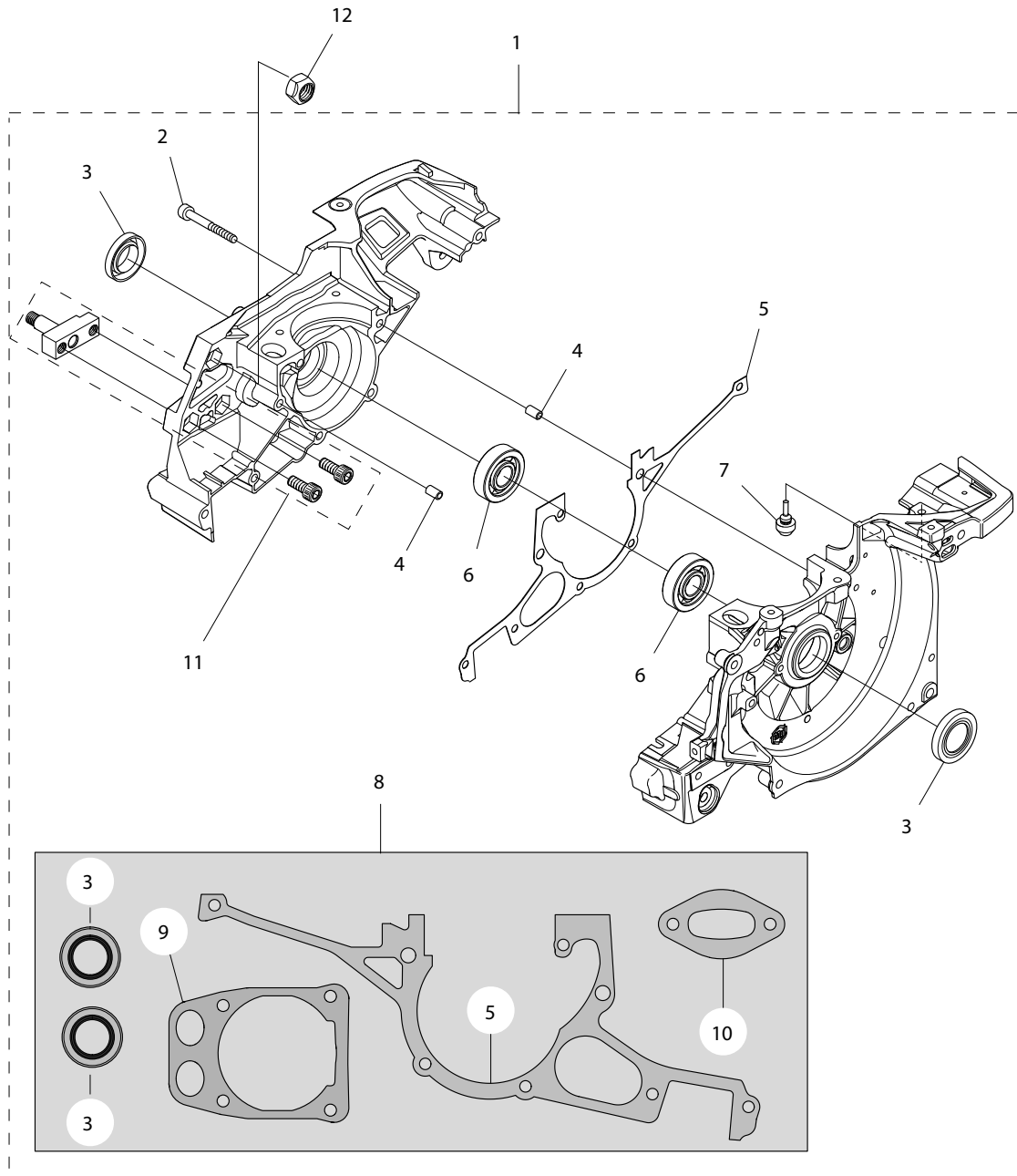
Key #	Part No.	Description
C01	543905	RETAINING RING
C02	551384	SPLIT RETAINER (PAIR)
C03	543907	SPACER
C04	525496	695F4 FORCE4™ SPROCKET
C04	70949	695GC RIM SPROCKET
C05	543909	CLUTCH CUP
C06	543910	NEEDLE BEARING
C07	543911	BAR BRACKET SCREW
C08	543912	CRANK CASE BOLT
C09	544130	WALLWALKER®
C10	543920	WALLWALKER® SCREW
C11	543915	WATER PIPE
C12	546548	WATER PIPE SCREW
C13	543916	BAR BRACKETS
C14	543927	CLUTCH ASSEMBLY
C15	543928	CLUTCH SPRING
C16	544137	SHIELD



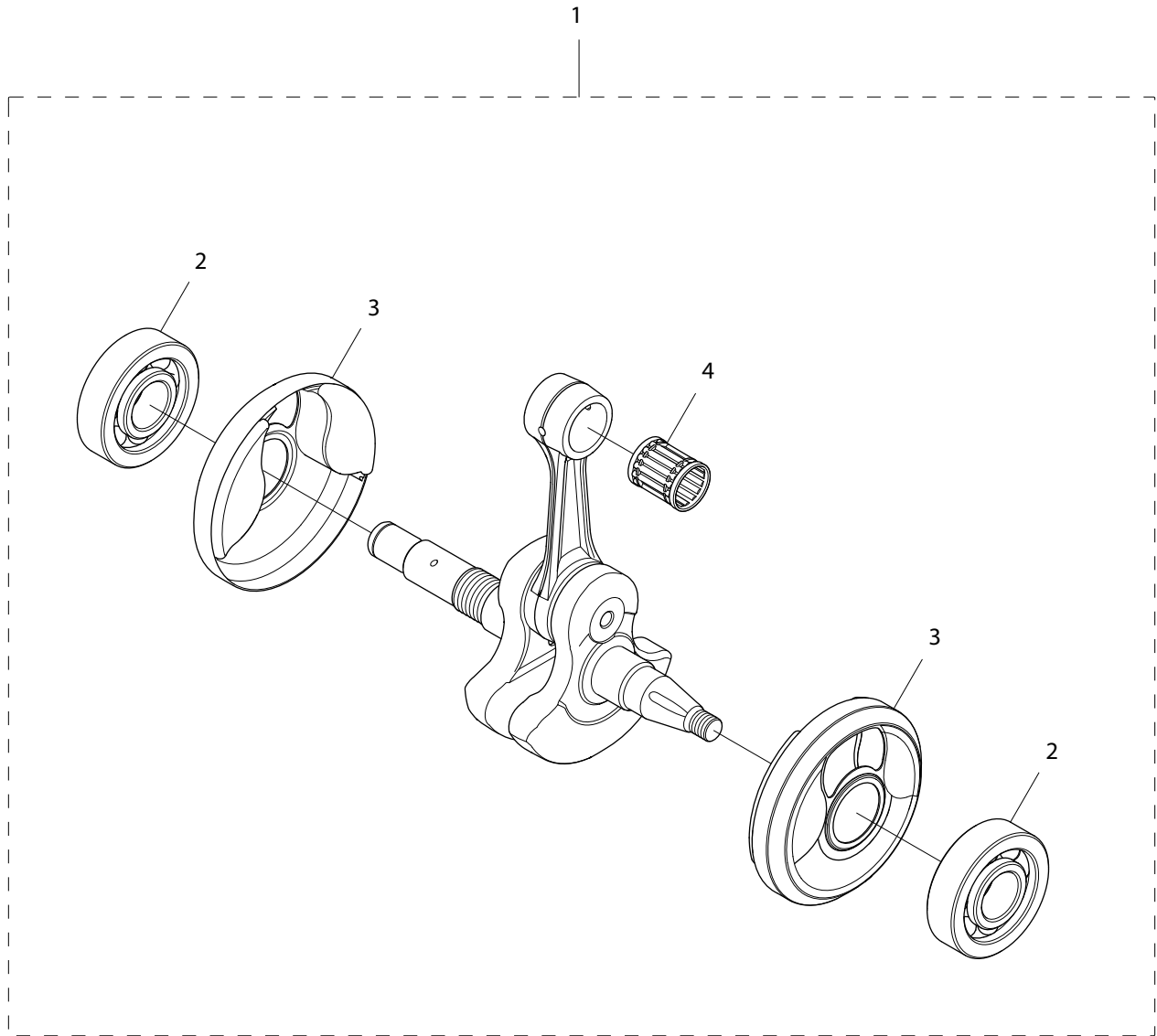
Key #	Part No.	Description
D01	543899	SIDE COVER ASSEMBLY
D02	543900	SIDE COVER NUT
D03	543901	SIDE COVER NUT CIRCLIP
D04	543902	TENSIONER COVER PLATE SCREW
D05	543903	SCREW, SIDE COVER CAP
D06	543904	TENSIONER



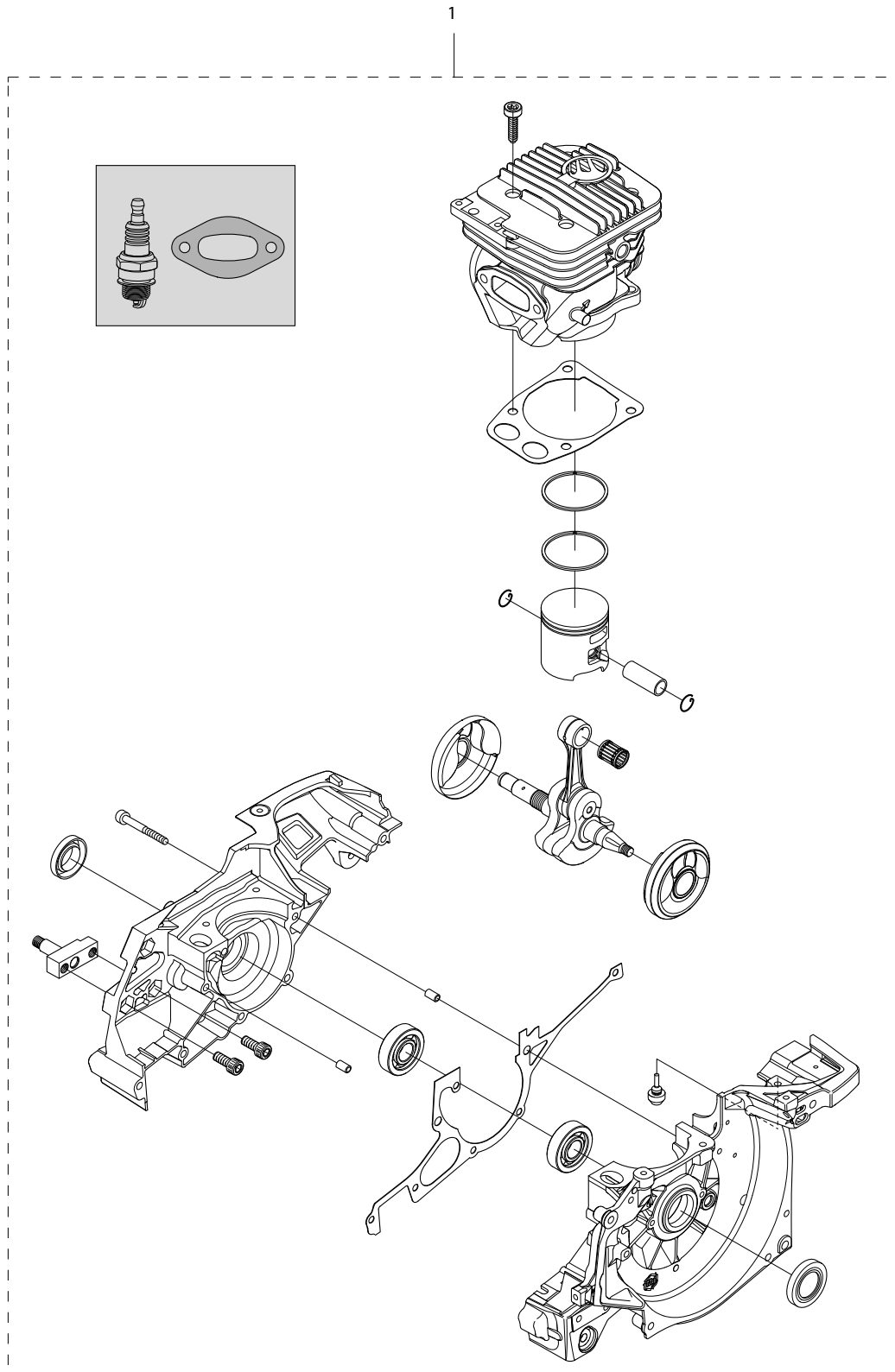
Key #	Part No.	Description
E01	543942	CYLINDER/MUFFLER SCREW (2)
E02	545873	PISTON/CYLINDER KIT
E03	543844	HEAT DEFLECTOR
E04	543938	MUFFLER GASKET
E05	543845	MUFFLER
E06	543846	LOWER MUFFLER MOUNTING SCREW
E07	543847	MUFFLER MOUNTING WASHER
E08	543848	DECOMPRESSION VALVE
E09	543937	CYLINDER BASE GASKET
E10	543949	NEEDLE BEARING
E11	543936	GASKET KIT
E12	543931	SEALING RING
E13	543933	CRANKCASE GASKET



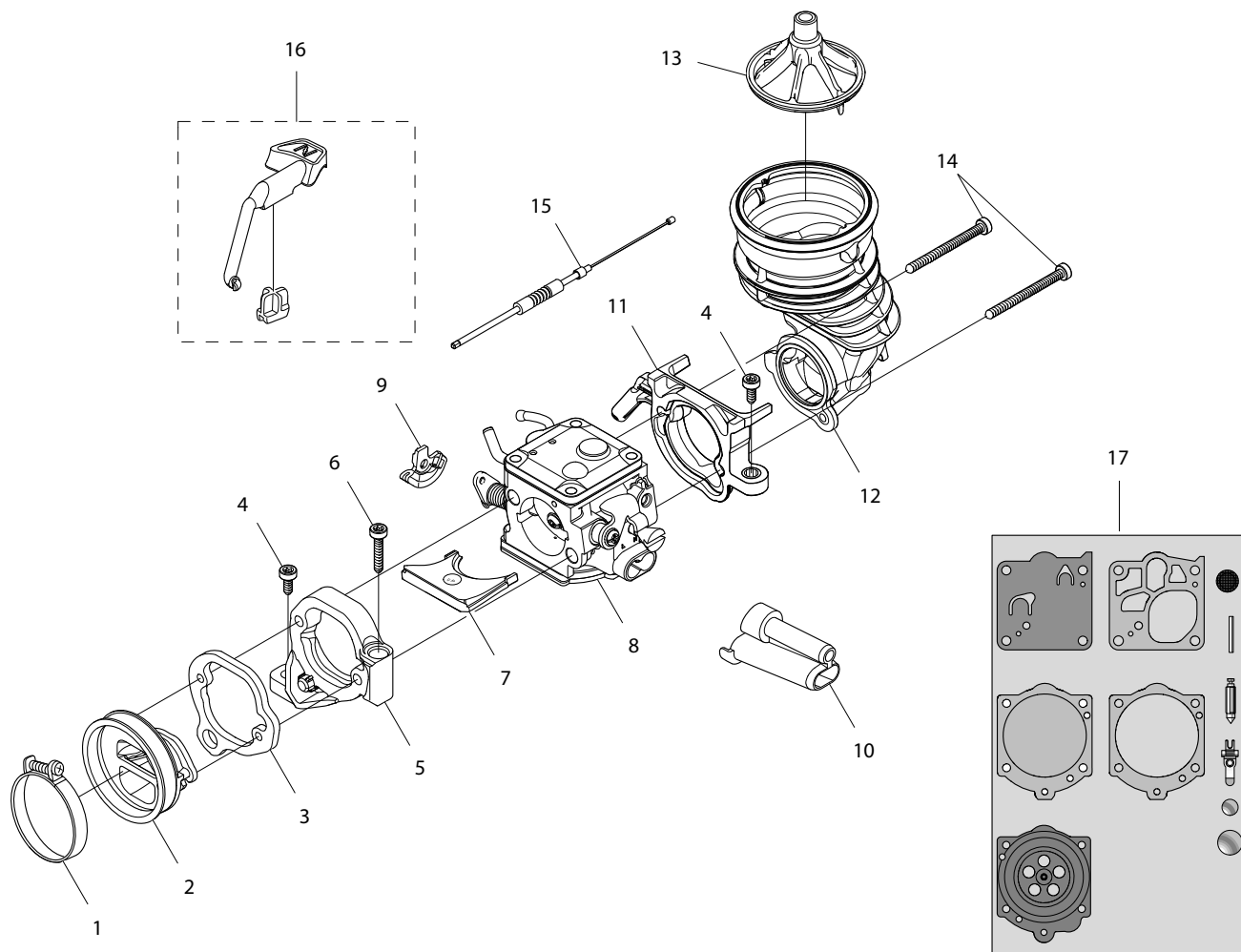
Key #	Part No.	Description
F01	543929	CRANKCASE ASSEMBLY
F02	543930	CRANKCASE SCREW
F03	543931	SEALING RING
F04	543932	GUIDE BUSHING
F05	543933	CRANKCASE GASKET
F06	543934	MAIN BEARING
F07	543935	RUBBER BUSHING
F08	543936	GASKET KIT
F09	543937	CYLINDER BASE GASKET
F10	543938	MUFFLER GASKET
F11	544129	BAR STUD KIT
F12	543941	BAR BRACKET FASTENER



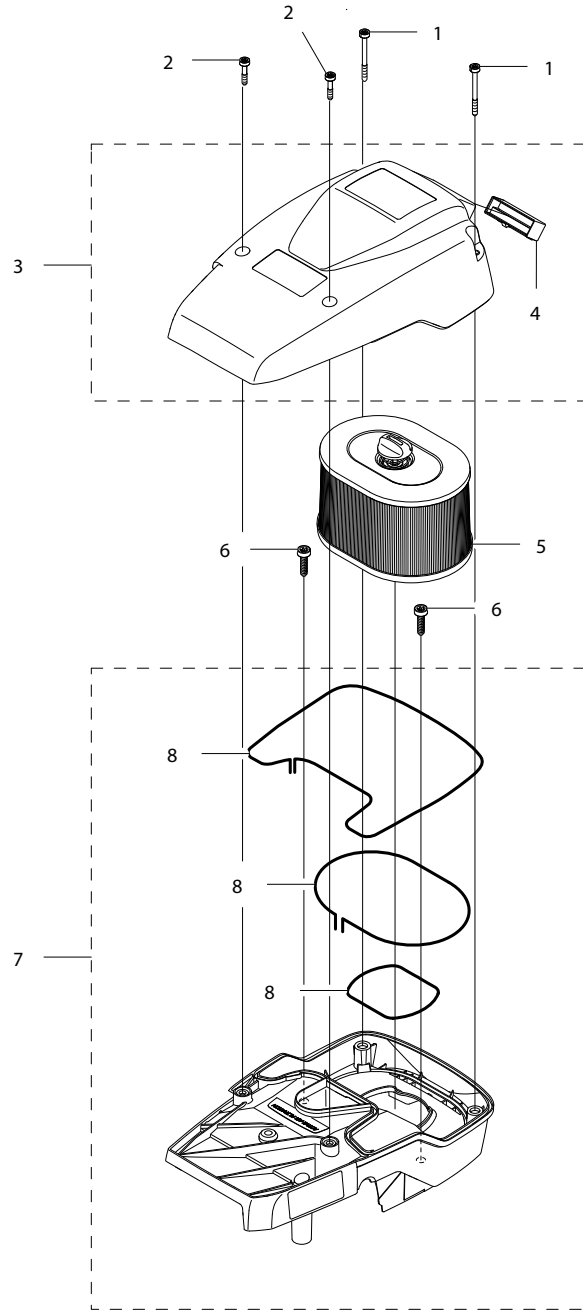
Key #	Part No.	Description
G01	543952	CRANKSHAFT ASSEMBLY
G02	543934	MAIN BEARING
G03	543953	CRANKSHAFT SHIELD
G04	543949	NEEDLE BEARING



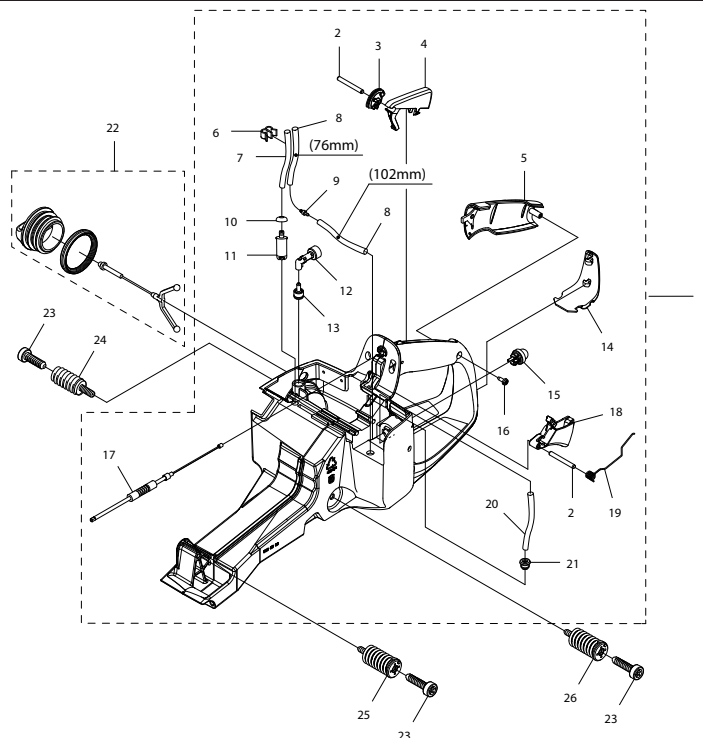
Key #	Part No.	Description
H01	544121	CRANKCASE W/PISTON & CYLINDER COMPLETE



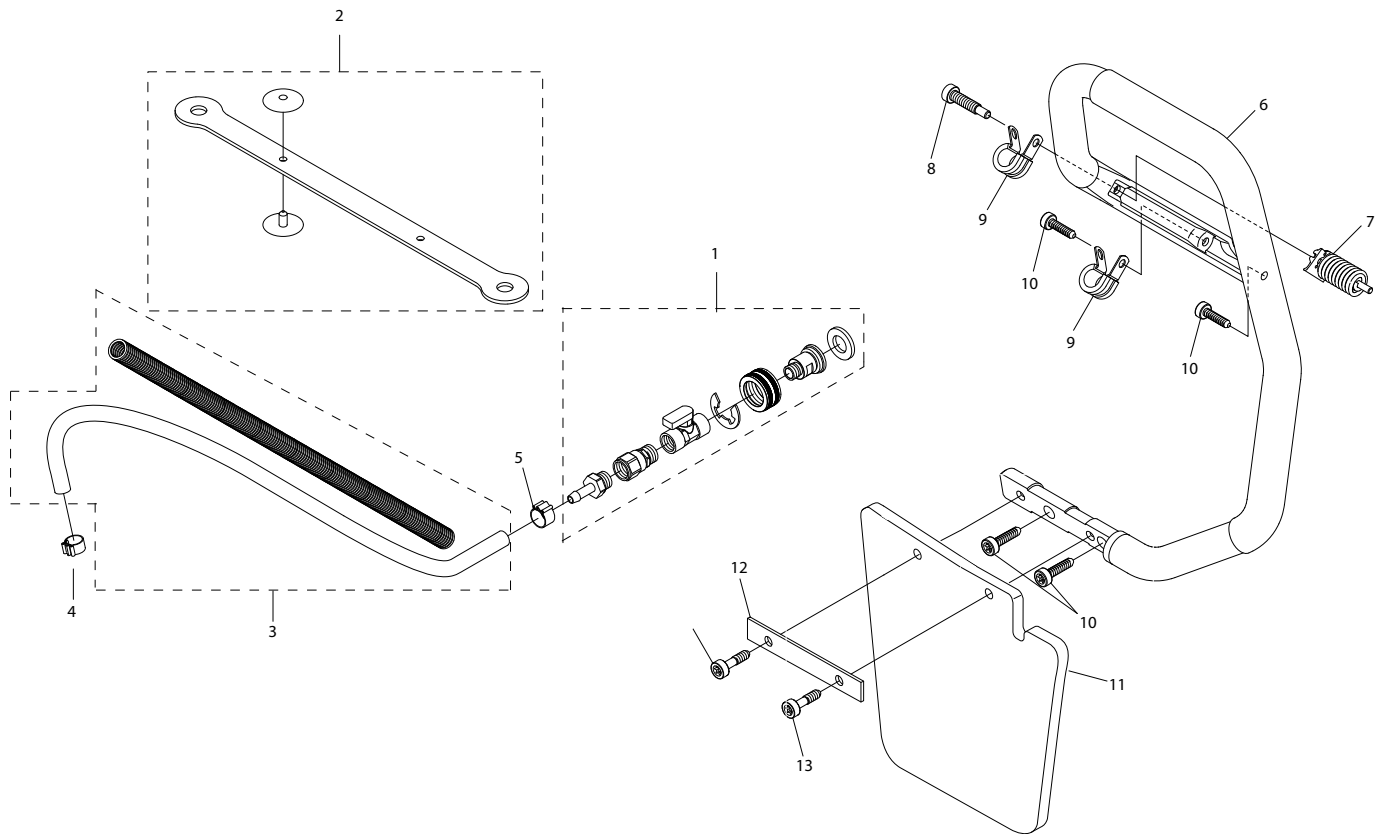
Key #	Part No.	Description
I01	544069	INLET BOOT CLAMP
I02	544070	INLET BOOT
I03	544071	FLANGE
I04	544072	FLANGE CLUTCH SIDE SCREW
I05	544073	FLANGE BRACKET
I06	544065	SCREW
I07	544074	SEPARATOR PLATE
I08	544075	CARBURETOR (WALBRO RWJ-5A)
I09	544111	THROTTLE CABLE LEVER
I10	544116	ADJUSTMENT GUIDE
I11	544112	MANIFOLD BRACKET
I12	544113	AIR INTAKE MANIFOLD
I13	544114	AIR FILTER BRACKET
I14	544115	CARBURETOR MOUNTING SCREW
I15	543975	THROTTLE CABLE ASSEMBLY
I16	544117	CHOKE LEVER
I17	544118	CARBURETOR REPAIR KIT



Key #	Part No.	Description
J01	544060	FILTER COVER REAR SCREW
J02	544061	FILTER COVER FRONT SCREW
J03	544062	FILTER COVER
J04	544063	AIR INTAKE INSERT
J05	544064	AIR FILTER
J06	544065	CYLINDER COVER SCREW
J07	544066	CYLINDER COVER ASSEMBLY
J08	544067	CYLINDER COVER SEALS



Key #	Part No.	Description
K01	543812	FUEL TANK ASSEMBLY
K02	543813	PARALLEL PIN
K03	543814	CABLE LEVER
K04	543815	THROTTLE LOCK OUT LEVER
K05	543816	REAR HANDLE COVER
K06	543818	CLIP
K07	543993	FUEL LINE
K08	543994	CHECK VALVE TUBE
K09	543969	CHECK VALVE
K10	543970	HOSE CLAMP
K11	543971	FUEL FILTER
K12	544990	TANK VENT ELBOW
K13	544122	TANK VENT
K14	543972	REAR HANDLE GROUND SUPPORT
K15	543973	PURGE BULB
K16	543974	REAR HANDLE SCREW
K17	543975	THROTTLE CABLE ASSEMBLY
K18	543976	THROTTLE TRIGGER
K19	543977	TRIGGER SPRING
K20	543995	PURGE BULB TUBE
K21	543978	GROMMET
K22	543979	GAS TANK CAP ASSEMBLY
K23	543981	SHOCK ABSORBER SCREW
K24	543982	SHOCK ABSORBER CLUTCH SIDE
K25	543983	SHOCK ABSORBER FRONT
K26	543984	SHOCK ABSORBER FLYWHEEL SIDE



Key #	Part No.	Description
L01	543996	WATER HOSE VALVE ASSEMBLY
L02	547969	HOSE HANGER
L03	543999	WATER HOSE WITH PROTECTIVE COVER
L04	544000	CLAMP, WATER HOSE
L05	544001	CLAMP, WATER HOSE VALVE SIDE
L06	544002	FRONT HANDLE
L07	544003	SHOCK ABSORBER, FRONT HANDLE
L08	543981	SCREW, SHOCK ABSORBERS
L09	544008	CLIP, FRONT HANDLE
L10	544009	SCREW, FRONT HANDLE
L11	576679	MUD FLAP
L12	544011	BACKING PLATE, MUD FLAP
L13	544012	SCREW, MUD FLAP

**695GC/695F4 Replacement Parts & Accessories Price List**

**ICS, Blount Inc.  
4909 SE International Way  
Portland, OR 97222  
Tel 800.321.1240 Fax 503.653.4393  
[icsbestway.com](http://icsbestway.com)**